

# SALES & ENGINEERING DATA

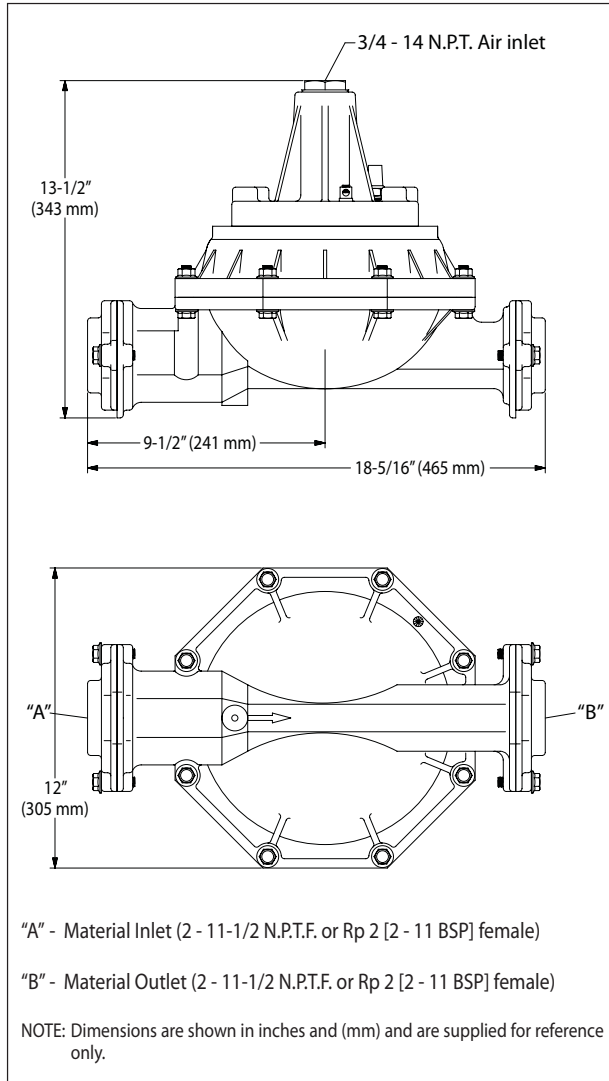
## SB20X-XXX-X SHOCK BLOCKER® 2" METALLIC PULSATION DAMPENERS

RATIO SERIES:

FLUID P.S.I. RANGE: **20 - 120**

RELEASED: 6-1-00  
REVISED: 6-10-10  
(REV. E) S-1080

### DIMENSIONAL DATA



### SPECIFICATIONS

#### CONSTRUCTION

Model Series	SB20X-XXX-X
Pulsation Dampener Type	Metallic
Material Inlet / Outlet	
SB20X- <u>A</u> XX-X	2 - 11-1/2 N.P.T.F. - 1
SB20X- <u>B</u> XX-X	Rp 2 (2 - 11 BSP parallel)
Air Inlet (female)	3/4 - 14 N.P.T.
Air Exhaust (female)	1/8 - 27 N.P.T.
Weight	
SB20X- <u>X</u> AX-X	29 lbs (13.2 kgs)
SB20X- <u>X</u> CX-X	70 lbs (31.8 kgs)
SB20X- <u>X</u> SX-X	71 lbs (32.2 kgs)
Pulsation Dampener Service Kit	637330-2X

SB20X - XXX -    
637330 - 2    
Diaphragm material

EXAMPLE: Model #SB20A-BAP-G  
Pulsation Dampener Service Kit is 637330-2G

#### PERFORMANCE

Maximum Air Inlet Pressure	120 p.s.i.g. (8.3 bar)
Maximum Material Inlet Pressure	120 p.s.i.g. (8.3 bar)
Maximum Temperature Limits (diaphragm / seal material)	
E.P.R. / EPDM	-60° to 280° F (-51° to 138° C)
Nitrile	10° to 180° F (-12° to 82° C)
Santoprene®	-40° to 225° F (-40° to 107° C)
PTFE	40° to 225° F (4° to 107° C)
Viton®	-40° to 350° F (-40° to 177° C)
Maximum Fluid Volume	194 in. <sup>3</sup> (3.18 lit.)

#### 1-1/2" Pump % Reduction in Pulsation

Back Pressure (P.S.I.)	40	80%	70%			
	60	80%	70%			
	80	80%	65%			
	100	80%	70%			
		1	20	40	60	80
	Flow (g.p.m.)					

#### 2" Pump % Reduction in Pulsation

Back Pressure (P.S.I.)	40	65%	55%			
	60	70%	60%			
	80	70%	55%			
	100	60%	55%			
		3	30	70	100	130
	Flow (g.p.m.)					

### INGERSOLL RAND COMPANY LTD

209 NORTH MAIN STREET - BRYAN, OHIO 43506

(800) 495-0276 • FAX(800) 892-6276

© 2010

CCN 99834103

www.ingersollrandproducts.com

# ARO

**IR** Ingersoll Rand  
Industrial Technologies