

# SALES & ENGINEERING DATA

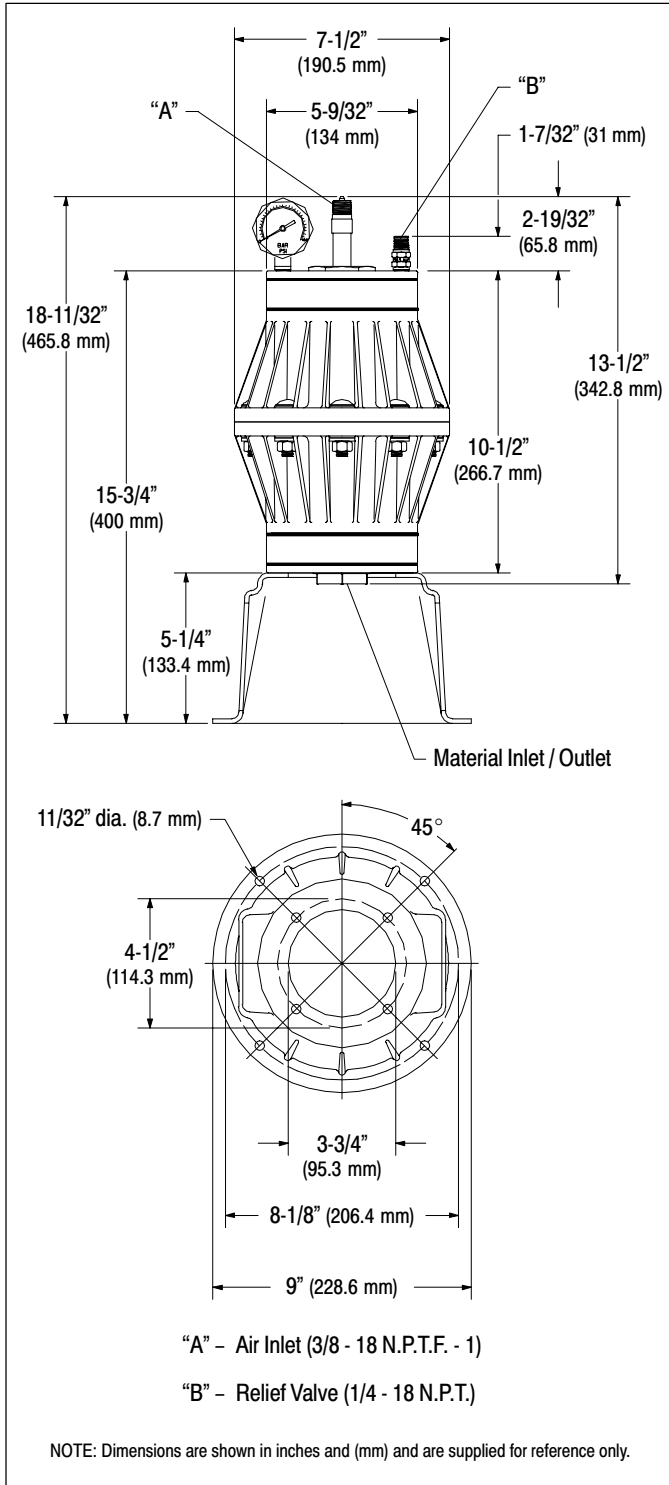
RATIO SERIES:

FLUID PSI RANGE: **20 - 100**

## SB10X-XXS-X SHOCK BLOCKER® 1" NON-METALLIC PULSATION DAMPENER WITH "AIR TAMER" AUTO ADJUSTMENT

RELEASED: 6-1-00  
REVISED: 9-16-11  
(REV. 02) S-1138

### DIMENSIONAL DATA



### SPECIFICATIONS

#### CONSTRUCTION

Model Series	SB10X-XXS-X
Pulsation Dampener Type	Non-Metallic
Material Inlet / Outlet	
SB10X- <del>A</del> XS-X	1 - 11-1/2 N.P.T. (female)
SB10X- <del>B</del> XS-X	1 - 11 BSP Rp (female)
Air Inlet	3/8 - 18 N.P.T.F. - 1 (male)
Weight . Glass Filled Polypropylene	8.4 lbs (3.8 kgs)
Conductive Acetal	8.6 lbs (3.9 kgs)
Pure Kynar	9.0 lbs (4.1 kgs)

#### PERFORMANCE

Maximum Air Inlet Pressure	100 p.s.i. (6.9 bar)
Maximum Material Inlet Pressure	100 p.s.i. (6.9 bar)
Maximum Temperature Limits	
Glass Filled Polypropylene	35° to 175° F (2° to 79° C)
Conductive Acetal	10° to 180° F (-12° to 82° C)
Pure Kynar	10° to 200° F (-12° to 93° C)
Maximum Fluid Volume	57 in. <sup>3</sup> (.93 l)

1/2" PUMP		% REDUCTION IN PULSATION											
BACK PRESSURE (P.S.I.)		Flow (g.p.m.)											
		20	40	60	1	2	3	4	5	10	12		
20	94%	81%	70%	65%									
40	92%	83%	70%										
60	91%	85%											

1" PUMP		% REDUCTION IN PULSATION											
BACK PRESSURE (P.S.I.)		Flow (g.p.m.)											
		20	40	60	80	1	5	10	15	20	25	30	
20	90%	80%	70%	60%									
40	90%	75%	70%										
60	85%	80%	75%										
80	85%	80%											